





Bullet Magnet

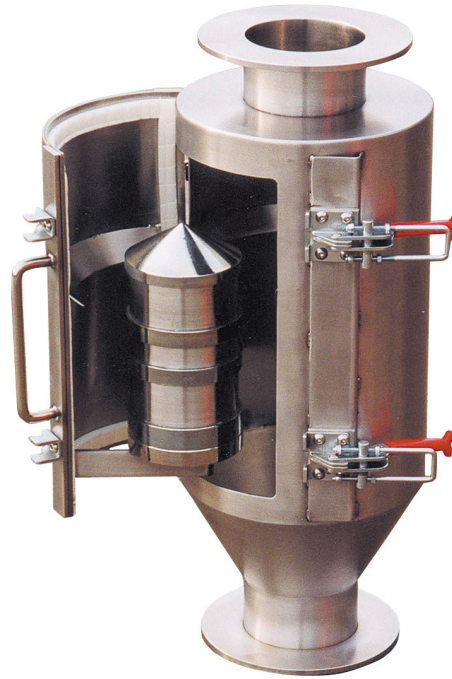
At A Glance

-  **Protection: Primary**
-  **Feed Type:**
Gravity / Lean / Dilute Phase
-  **Material Type: NdFeb**
-  **Cleaning Type: Manual**

Housed bullet magnets are ideal for the removal of tramp type contamination, for example nuts, bolts, staples etc., from gravity and pneumatically conveyed pipelines.

The unit is designed to prevent tramp iron from damaging expensive process machinery such as blenders, granulators, mixers and screw feed conveyors. A high intensity magnetic bullet element is centrally mounted within a stainless steel housing. The design ensures that product flow is unaffected by the magnetic element.

The bullet element incorporates high intensity Rare Earth magnetic material which generates deep penetrating magnetic flux fields ensuring contamination is captured.



Benefits

- Easy to inspect
- High collection capacity
- Rare Earth deep magnetic field
- Maintains full flow
- Reduces 'spark' risk
- Removes 'tramp' sized contaminants

Performance

Magnetic Performance	9000 Gauss
Performance Reading	On magnetic pole face
Magnet Grade	N45 – Inspected and confirmed via hystero-graph prior to use
Temperature	-4°F / +194°F
Pressure	+ / - 12psi

Suitability

Suitable Products	Dry and semi dry powders, granulates and lumps etc
Suitable Location	Inlet / outlet points

Materials

Magnetic Material	Rare Earth Neodymium Iron Boron - (NdFeb)
Housing	304 grade stainless steel
Other Parts	304 grade stainless steel
Toggle Clamps	Zinc plated mild steel
Sealing	Self adhered white foam (FDA)
Surface Finish	Bead blast

Cleaning

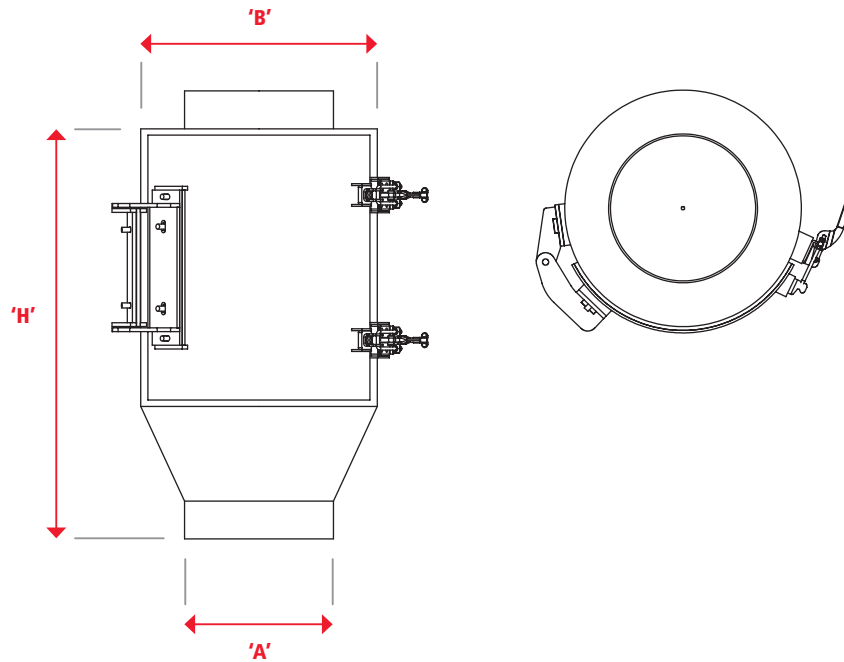
The bullet magnet is cleaned by hand. Simply release the door securing toggle clamps and open the door to gain access to the bullet element. All attracted contamination can now be removed. It is advisable to wear protective gloves to avoid any injuries from sharp attracted items.

Options

- Sizes up to 20 inches Ø
- 16 grade stainless steel
- Metal detectable silicon rubber seal – dark blue, FDA approved
- Stainless steel toggle clamps



Bullet Magnet



Part Number (Single)	Inlet / Outlet A (inches)	Dia. B (inches)	Height H (inches)	Weight (lbs)
HBM075	3	8	19	35
HBM100	4	9	19	49
HBM125	5	10	22	73
HBM150	6	11	22	101
HBM175	7	12	25	132
HBM200	8	13	25	231
HBM250	10	15	28	353
HBM300	12	17	28	463

For non-standard sizes, please contact sales@eclipsetoolsinc.com

If you have any more questions, require technical assistance or would like a quotation, please contact us.

www.eclipsetoolsinc.com

Eclipse Tools North America Inc.

442 Millen Road, Unit 9, Stoney Creek, Ontario, L8E 6H2, Canada

T 1-800-260-2124 F 1-800-260-1410

sales@eclipsetoolsinc.com www.eclipsetoolsinc.com

While every effort has been made to ensure the accuracy of the information in this publication please note that specifications may change without notice.



A world leader in magnetic technology



FM31278