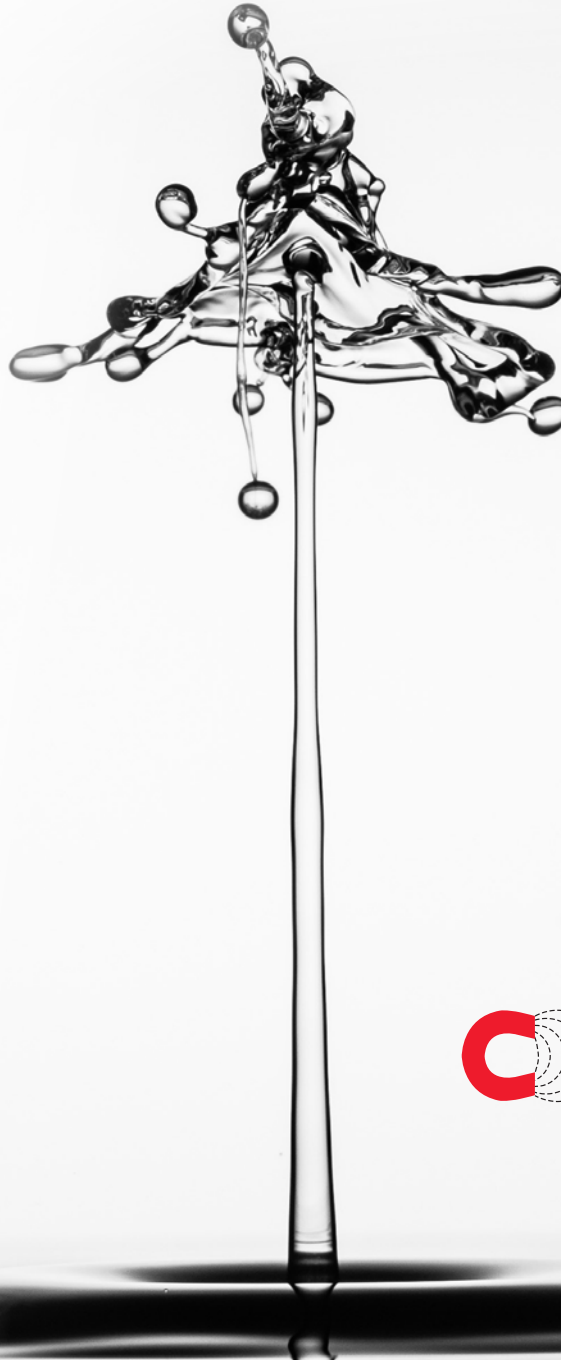
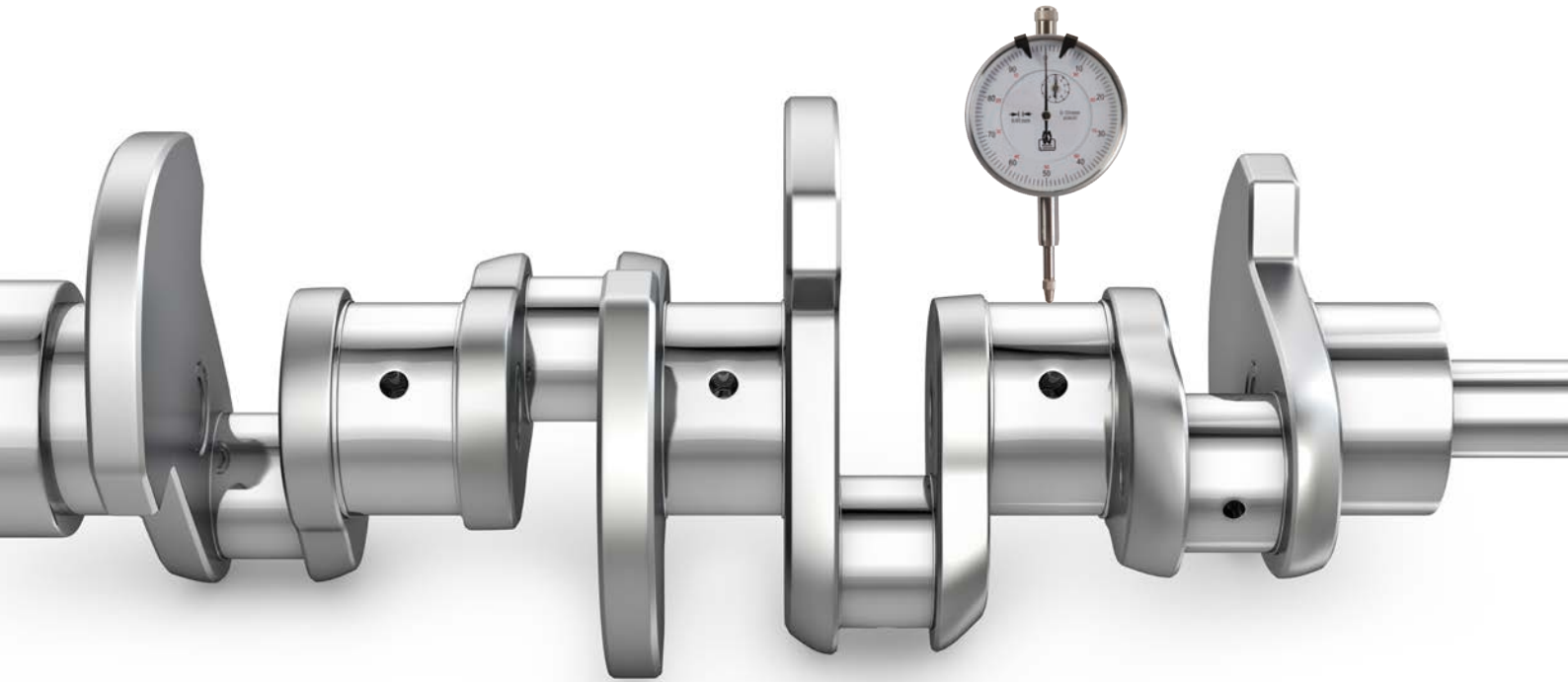


Magnetic Filtration Systems

Sub-micron filtration for industrial fluids in precision machining & wash system applications



**When precision counts,
Eclipse delivers...**



Contents

Who We Are

Introduction to Eclipse Magnetics

p4

Magnetic Filtration Introduction

Save time, save money, minimise waste

p5 - 7

Testimonials

Hear what our customers have to say about magnetic filters

p8 - 9

Typical Applications

How our products can solve problems & add value to your business

p10 - 11

Product Range

Find the right solution for your application

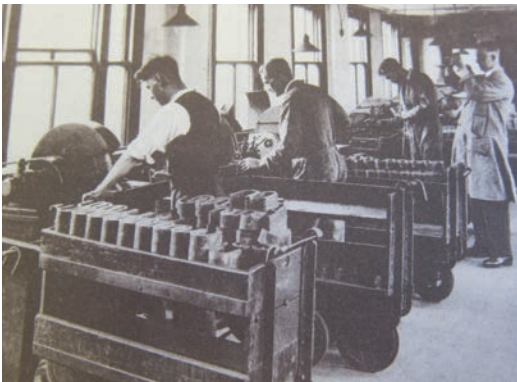
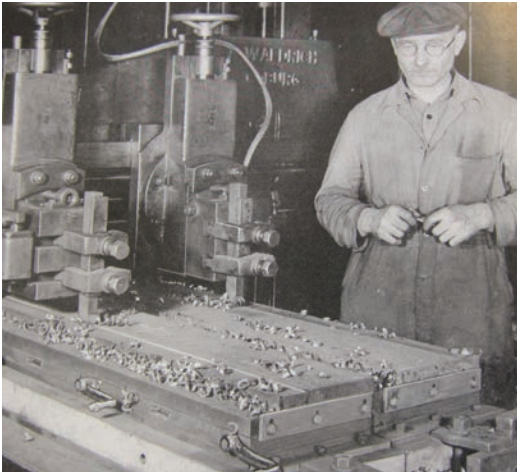
p12 - 23

Installation & Technical Data

Typical installation points & useful information

p24 - 25

100 years of innovation



Innovation in magnetics

Our magnetic technology is widely used at leading worldwide companies and in major development projects, all requiring a guarantee of equipment performance.

Serving some of the leading names in industry

BMW

Ford

Bosch

Honda

Bombardier

Volvo

JCB

Caterpillar

NSK

Denso

Perkins

Geely

Designing excellence

We have a track record of producing high quality products backed by a commitment to total customer satisfaction. Our technical application teams have a wealth of experience, thus ensuring many of our products are market leading innovations. All manufacturing is carried out under an ISO 9001 certified quality management system and we are accredited to ISO 14001 environmental standards.

Unrivalled product range

We serve worldwide markets with an extensive product range including filtration systems, foreign body removal systems, magnet assemblies and complex magnetic industrial equipment used in industries such as automotive, aerospace and nuclear. Many of our products are unique and are covered by global patents.

Worldwide support

We offer worldwide support through our offices in the UK, Canada and China. We also have employees in various territories and a network of technically trained partners to provide local product support.

Driving competitive edge into precision processes

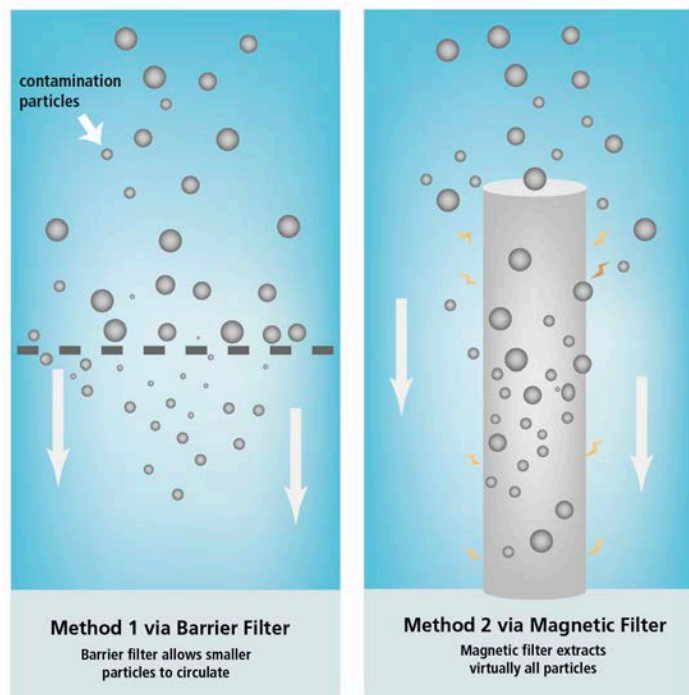
Our patented magnetic filtration systems are the ultimate in filtration technology, providing cost, quality and environmental benefits.

Magnetic filtration operating principle

Magnetic filtration is the most effective means of removing problem ferrous particles from industrial fluids such as coolants, lubricants and wash solutions.

All the benefits of Eclipse Magnetic filters are based on their ability to remove virtually all ferrous particles, including sub-micron particles from the process. Traditional filtration systems typically leave particles smaller than 5 - 10 microns circulating in fluid causing damage to process equipment and finished products.

Magnetic filtration systems are ideal for either new build projects or they can be fitted to enhance existing filtration systems.



Significantly lower operating costs

✓ Longer lasting fluids extends fluid life by x10

Magnetic filters can remove particles smaller than one micron in size. These particles significantly affect the performance of fluids and also act as a focus for bacterial build up.

✓ NO consumables - Cuts filter costs by up to 100%

Unlike other types of filtration, once magnetic filtration is installed there is nothing else you need to buy to ensure effective filtration over the filter's lifetime, which can be typically greater than 20 years.

✓ Minimal fluid loss

Contamination is removed from the filter as a semi-dry 'cake'. Fluid loss is considerably less than that of traditional filter media.

✓ NO disposal costs

The cake itself can be recycled, eliminating expensive specialist disposal costs.

✓ Minimal running costs - Virtually zero

Manually cleaned magnetic filters require no additional power. Magnetic self-cleaning filters only require a small amount of power for the cleaning process.

✓ Ideal for 24/7 operation - Increase productivity

Fully automated magnetic filtration systems are ideal for continuous manufacturing lines.

✓ Rapid return on investment

Magnetic filtration is perfect for cost reduction and continuous improvement programmes providing a rapid return on investment.

✓ Health & safety

Minimal handling of contaminated fluid and bacterial growth.



Increase Productivity

Maintain flow rates

High flow rates can be maintained without affecting filtration efficiency. Fluid does not flow through filter media, so flow is uninterrupted. Flow rates are determined by your process requirements, not by your filter.

NO back pressure

Even when the filter is 'full' there is no blinding or risk of burst filters, reducing downtime.

Reduced wear / Increased precision finish

Particles that pass through traditional filters act as an abrasive, wearing parts, machinery and product. Magnetic filters remove these damaging particles.

Fine filtration

Conventional filtration media, at 5 microns and below, can strip oils of anti-foaming, anti-bacteria and other additives. Magnetic filtration enables sub-micron filtration without affecting the oil's properties, and can actually aid the effective control of bacteria.



Reduced Environmental Impact

A major consideration for any business is its responsibility to the environment. Magnetic filtration is a positive contribution to companies' environmental policies and ISO14001 accreditation.

Reduced waste

Magnetic filtration requires no consumable or disposable products. It extracts virtually 100% of ferrous contamination, drastically reducing the use of disposable filter media. Less fluid is used as its effectiveness is maintained for longer.

Recycled waste

Ferrous particles are separated from fluid and filtration media so can be recycled rather than disposed of.

Outperforms other filters

Magnetic filtration can be used as a replacement for, or in conjunction with other forms of filtration to optimise filtration efficiency. *There are many types of filtration media, Eclipse Magnetics systems offer distinct advantages.*



Typical filter type comparison

The table below shows how magnetic filtration compares to other forms of filtration in key performance criteria.

	Autofiltrex & Automag Skid	Micromag & Filtramag+	Magnetic rollers	Hydrocyclone/ centrifugal	Barrier (cartridges, paper)	Candle, powder	Settlement tanks	Vacuum
Costs								
Capital investment	medium	low	medium	very high	low	very high	high	high
Running costs	zero	zero	low	low	high	high	low	low
Return on investment (years)	< 1	<1/2	2-5	5	never	10	5	10
Performance								
Filtration capability (micron)	< 1	< 1	> 20	> 10	> 20	> 10	> 100	>20
Process accuracy	very high	very high	low	medium	medium	high	low	medium
Flow rates (ltrs/min.)	very high	very high	medium	low/medium	low	low	medium	medium

Note: This is general information for guidance purposes only. Please consult Eclipse Magnetics for application specific information.

Give your business the edge. Hear from our customers...



"Before fitting Micromag we were changing filters every few days. **We invested in 4 MM5s we estimate this saves us around £28,000 annually in cartridge filter costs**, not to mention the resultant downtime. Following the success we have now fitted Filtramags to our grinding machines which have cut our product reject rates to virtually zero."

- Maintenance Engineer - Borg Warner (Turbocharger Balancing Machines)



"The AutoMag skid has exceeded our expectations; we are more than happy with its performance. **90% of swarf material is now being successfully removed from the oil**, which is a massive improvement and results in plenty of cost savings for us."

- Works Engineer - OSL Cutting Technologies (Tool Cutting)

"Micromag has paid back in just a few weeks, previously we could only take out particles of 50 micron or over, which caused the fluid channels to get plugged and drills to crash. **Now I have fitted Micromag, my purchase of drill bodies has fallen by 100%. I am planning to fit Micromag to all my machines.**"

- Plant Manager - Collison Goll Steel (Stock Deep Hole Drilling)



"The Double AM12 Skid has increased our efficiency. We work 24 hours a day and our 18" heads cut some big pieces of steel. **Magnetic filtration has dramatically cleaned up our fluids and improved the surface finish we can offer. It extracts around 50Kg per day of ferrous waste** and easily handles the flow and contamination generated by the multi-machine cell."

- Facilities Manager - Milacron Machines (Sub-Contract Machining)

“This technology is economical, reliable and efficient. I believe that magnetic filtration technology is the future.”

- Jonathan Michels at MMTCI -



“The waste removal process was taking up too much valuable time. The proper filtration system is just as, or even more important than operation speed. It saves time and money from having to stop the manufacturing process to clean the tank and repair jammed parts. The Filtrimag+ is very effective for what we needed.

I am truly surprised how much contamination we’re removing and how it’s improved our process. We are proud to say that there are currently 5 Filtrimag+ systems installed at Fruitland Manufacturing and we are thrilled to be a part of Eclipses’ growing process”

- **Machine Shop Supervisor** - Fruitland Manufacturing



“When we used only barrier filtration we had a constant problem with ‘blinding’ of the honing stone due to a build-up of ferrous particles. **Fitting Micromag has been a real positive step, we can now guarantee a uniform high quality finish and our reject rates are minimal.**”

- **Operations Manager** - NSK (Super-finishing of Bearing Hubs)

“Micromag’s outstanding filtration capability and short investment payback period exactly matched our needs. **Since incorporating Micromag into our process our machine downtime has fallen dramatically compared to our previous filtration system and our filtration effectiveness is much better** as we can extract the smallest particles.”

- **Facilities Manager** - Honda (Engine Valve Machining (UK))



“We had a real problem with downtime as our quenching tank regularly filled up with ferrous contamination – we had to halt production and clean out the tank. **Automag has been a smart investment. The automated cleaning frees up my maintenance team and we will get rapid payback** through reduced process downtime.”

- **Facilities Manager** - Cascade (Heat Treatment of Fork Lift Parts)

Why industries choose magnetic filtration.

Automotive

Magnetic filtration is widely used in the automotive industry within OEMs and tier 1 and 2 suppliers for the manufacture of powertrain and engine components.



Advantages

- High precision finish
- Reduced downtime
- 100% effective with cast iron particles
- Ideal for 24/7 operation
- Flow rates up to 10,000 litres: multi-use to increase flow capacity

Typical Application

- Ring & pinion gear lapping
- Turbocharger balancing machines
- Crank shaft gun drilling
- Valve face grinding
- Cam shaft grinding
- Cylinder liner honing
- Engine liner grinding
- Gear cutting and finishing

Case study

Company
Bombardier (Austria)

Application
Cast iron piston bushings

Process
Milling and gun drilling
Filtramag removed sub-micron particles reducing abrasive wear on tools and parts. Tool changes and product reject rates were reduced to virtually zero.

Bearings

Magnetic filtration is used by some of the world's largest bearing manufacturers to ensure sub-micron accuracy in the production of bearing components.



Advantages

- High precision product finish, concentricity and consistency
- Reduced downtime
- Sub-micron filtration
- Ideal for high volume processes
- Can be retrofitted to existing lines
- Rapid return on investment
- Reduced waste – ISO14001

Typical Applications

- Hub honing
- Ball grinding
- Super-finish/polishing
- Ring grinding
- Raceway grinding
- Wash systems

Case study

Company
Tsubaki-Hoover (Poland)

Application
Steel ball and rollers

Process
Super-finishing
Micromag improved on 20 micron paper filters by extracting sub-micron ferrous particles. Surface finish was improved and reject rates fell dramatically.

Wash systems

It is vital that wash solutions are kept free from ferrous particles. Many wash systems have benefitted from installation of magnetic filtration which ensures the finished product is clean and complies with quality inspection.



Advantages

- Flow rates up to 10,000 litres per minute
- Filters do not degrade in wash solutions
- Removes ferrous deposits from finished product
- Reduces reject rates

Typical Application

- Rotary wash systems
- Transfer wash stations
- Degreasing equipment
- Multi-stage washers
- Spray wash stations

Case study

Company
Permoid (UK)

Application
Automotive fuel tanks

Process
Flushing rig
Reduced product reject rates to zero, reduced disposal and purchase of barrier filters by 95%.

Steel processing

Magnetic filtration can improve efficiency in most steel processing operations such as steel production, both hot and cold.



Advantages

- Automated cleaning ideal for heavy contamination
- Improved surface finish
- Reduced downtime
- Suitable for arduous environments
- 24/7 operation

Typical Applications

- Steel rolling mills
- Sawing machines
- Steel pipe cutting
- Tube threading equipment
- Steel quenching tanks
- Surface treatment processes
- Spray bars
- Roller lubrication
- Final wash process
- Deep hole drilling

Case study

Company
Steelscape (USA)

Application
Steel rolling and pickling

Process

Surface spray system

Heavy contamination blocked barrier filters within hours. Automag extracts 12000 Kg contamination / month – reject rates have fallen to zero.

Machine tool OEMs

Magnetic filtration enhances performance on a variety of machine tools. It offers a competitive edge to machine tool manufacturers particularly when servicing high precision applications.



Advantages

- Can be retrofitted to enhance existing filtration systems
- Reduces machine maintenance/downtime
- Flow rates 70 to 10,000 litres per minute
- 100% effective with low magnetic materials e.g. cast iron and tungsten carbide
- Increases the equipment, value provides a solution for the customer

Typical Applications

- VMC, HMC, and CNC machines
- Multi-axis vertical turning centres
- Grinding
- Honing
- Lapping
- Deep hole/gun drilling
- EDM machines
- Laser cutters

Case study

Company
Schautd Mikrosa (Germany)

Application
CNC Manufacture

Process

Camshaft grinding

Reduced downtime by 50% and increased the life of grinding wheels by 30%.

Tool cutting

High intensity magnetic filtration is the only option available to guarantee a high precision finish on tool cutting operations.



Advantages

- Enables tolerances of < 1 micron
- Enables manufacture of "mirror" finish tools
- Can increase the value of tools by 300%
- 100% effective with low magnetic materials e.g. tungsten carbide materials
- Reduces wear on grinding wheels
- Ensures clear grinding contact
- Ideal for 24/7 or unmanned operations
- Significantly extends fluid life

Typical Applications

- Multi axes CNC machines
- Tungsten carbide drills and endmills
- Radius grinding
- Wood working tool superfinish
- "Mirror" finish plastic cutters

Case study

Company
Pro-Cut Tooling (UK)

Application
Carbide cutting tools manufacture/repair

Process

Super-finish/grinding

Enabled manufacture of "mirror" finish cutting tools, reduced machine cleaning downtime by 75% and extended fluid life by 250%.

PATENTED DESIGN

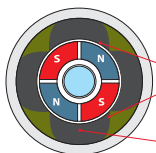
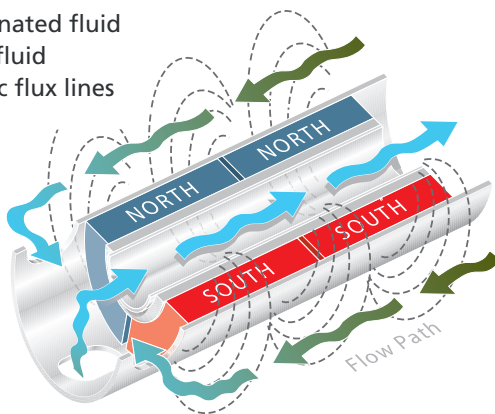
Micromag



**Compact magnetic filter, easy to clean and install,
high collection capacity relative to size.**

Key

- Contaminated fluid
- Filtered fluid
- Magnetic flux lines



Fluid continues to flow when filter is fully loaded with contamination

Contamination

How Micromag works

Contaminated fluid enters the inlet port where flow is equally split via tapered radial flow channels which lowers the flow velocity ready for the fluid to be filtered.

It then passes up the outside of the centrally mounted 'Rare Earth' magnetic core where contamination particles are attracted and retained.

The magnetic flux circuit geometry ensures a controlled build up of contamination so the filter can never block.

Filtered fluid then flows through slots at the top of the core then down and through the centre of the core, exiting through the outlet port.

MM - 12 bar version

MM20 | MM10 | MM5



MM - 50 bar version

MM5/HP/50 | MM20/HP/50 | MM10/HP/50

For through-spindle coolant and pressure surge applications. Aluminium construction.



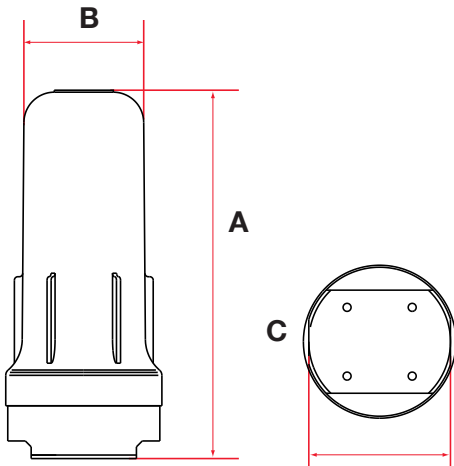
MM - 80 bar version

MM5/HP/80 | MM20/HP/80 | MM10/HP/80

For through-spindle coolant applications. Suitable for HICM Acidic/Alkaline Aluminium. Stainless steel construction.



Technical Data



MMMT - Micromag mobile

All the benefits of Micromag in a portable unit.



Product number	Flow rate ltrs/min.	Max. operating pressure bar	Connection " BSP	Temperature range °C	Construction	Dimensions mm		
						A	B	C
MM5	70	12	1	5 – 50	SAN housing, Aluminum lid	190	95	103
MM10	100	12	1	5 – 50		315	100	124
MM20	150	12	1½	5 – 50		605	100	137
MM5/HP/50	70	50	1	5 – 140	Full aluminum construction	247	116	125
MM10/HP/50	100	50	1	5 – 140		365	116	125
MM20/HP/50	150	50	1½	5 – 140		625	116	125
MM5/HP/80	70	80	1	5 – 140	Full stainless steel construction	247	116	125
MM10/HP/80	100	80	1	5 – 140		365	116	125
MM20/HP/80	150	80	1½	5 – 140		625	116	125
MMMT	10	10	1" / ¾"	5 – 40	SAN housing, Aluminum lid Cast Iron	N/A	N/A	N/A

PATENTED DESIGN

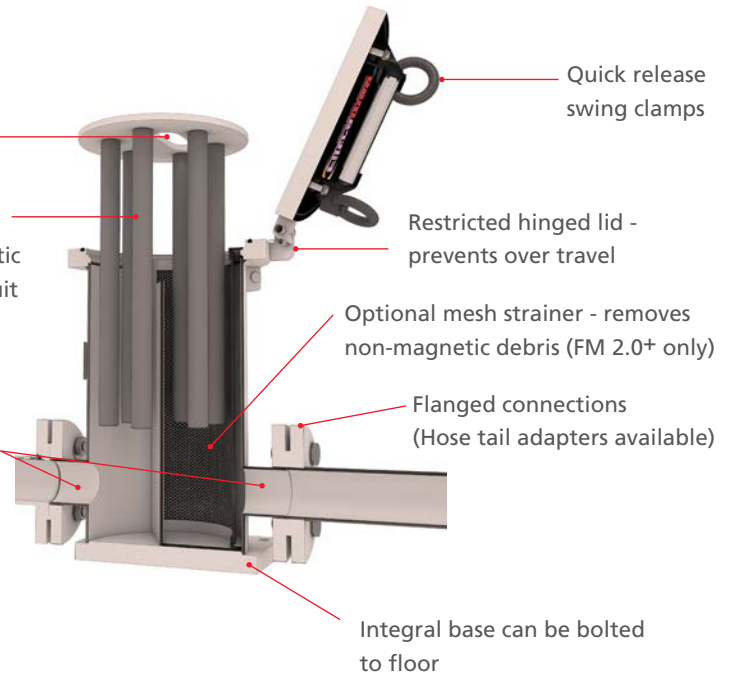
Filtramag+



Easy access for gloved hand

Patented high intensity magnetic rods & flow circuit

Parallel inlet and outlet.



Robust high performance magnetic filter with Dual Flow Technology to maximise collection capability. Easy installation with operation up to 20 bar.

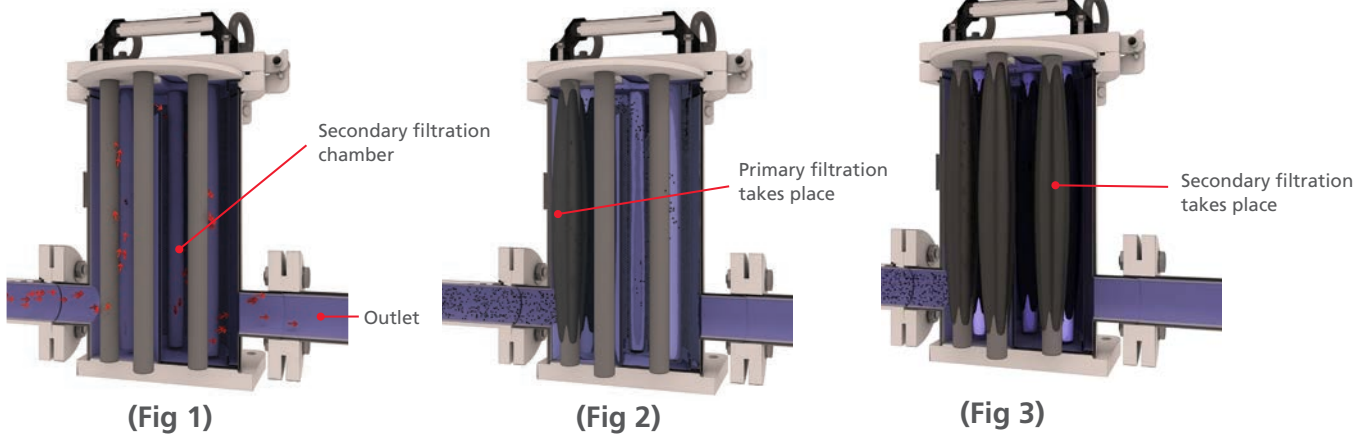


Ideal for use in a harsh chemical environments. Effective with carbide and cast iron applications.

Special applications

For processes with high levels of contamination, high fluid flow rates, high viscosity fluids or that operate continuously, multiple Filtramag+ filters can be installed in parallel using a manifold. Each Filtramag+ can be isolated, using a manual valve and cleaned without stopping the process.

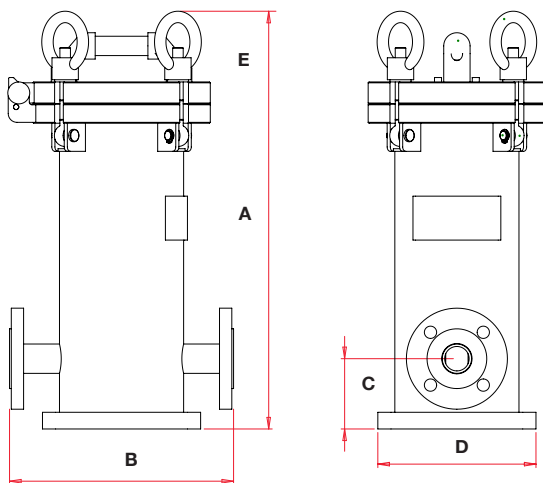
How Filtramag+ works



With a unique "Dual Flow Technology™" design (Fig 1) Filtramag+ is the most efficient filter of its type available. The dual flow design ensures that fluid is exposed to the high intensity magnets for the maximum time, thus ensuring almost 100% of ferrous contamination is removed on the first pass. Fluid enters through the inlet and flows up through the primary filtration chamber, (Fig 2) it then flows down through the secondary filtration chamber (Fig 3).

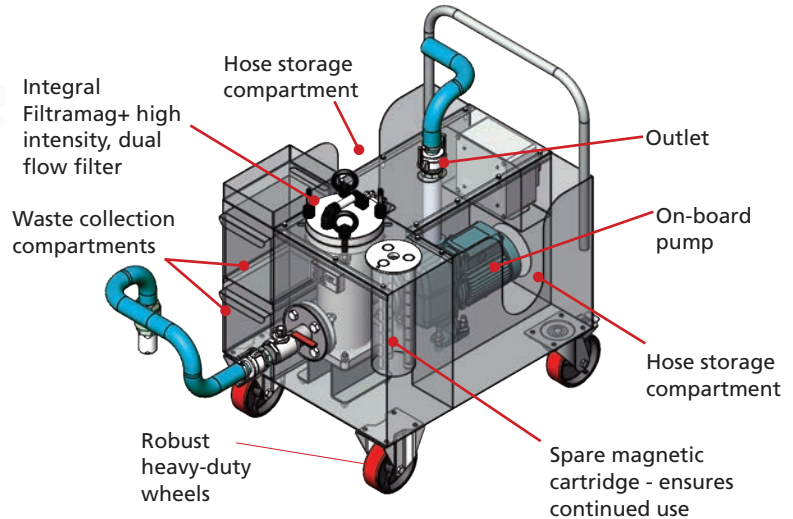
Fluid then passes through an optional mesh screen which removes non-magnetic debris. The patented magnetic circuit design ensures that the filter can never block even in high contamination applications. The magnetic cores can be removed easily by hand and cleaned with the tool supplied. As an option a spare magnetic cartridge can be supplied to ensure production continuity.

Technical Data



Product number	Max. flow rate litres/min	Max. operating pressure bar	Connection PN16 flange	Dimensions mm					Magnetic Strength gauss
				A	B	C	D	E	
FM1.5+	250	20	1½"	395	255	100	180	80.5	4,000
FM2.0+	500	20	2"	442	330	100	250	80.5	4,000
FM1.5+/11K	250	20	1½"	395	255	100	180	80.5	11,000
FM2.0+/11K	500	20	2"	442	330	100	250	80.5	11,000

Filtramag+ Mobile



An off-line filtration system for cleaning oils and coolants. This 'Plug & Play' unit offers efficient sub-micron filtration & can be moved easily from machine to machine.

Typical applications

- Ferrous machining processes
- Tank draining
- Tank cleaning
- Overnight fluid cleaning
- Additional filtration
- Incoming fluid inspection
- Carbide applications



Waste collection & recycling

Benefits

- Simple, "Quick-Connect" installation
- High performance, sub-micron filtration
- Cleaner, longer lasting fluids
- Cost savings in disposable filter usage
- Improved surface finish and accuracy
- Reduced waste disposable and oil wastage

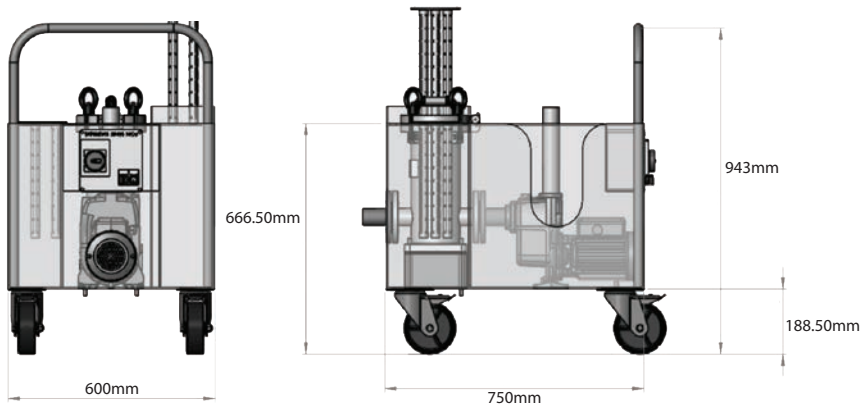


Spare magnetic core included

Convenient 'Plug & Play' Mobile Filtration



Technical Data



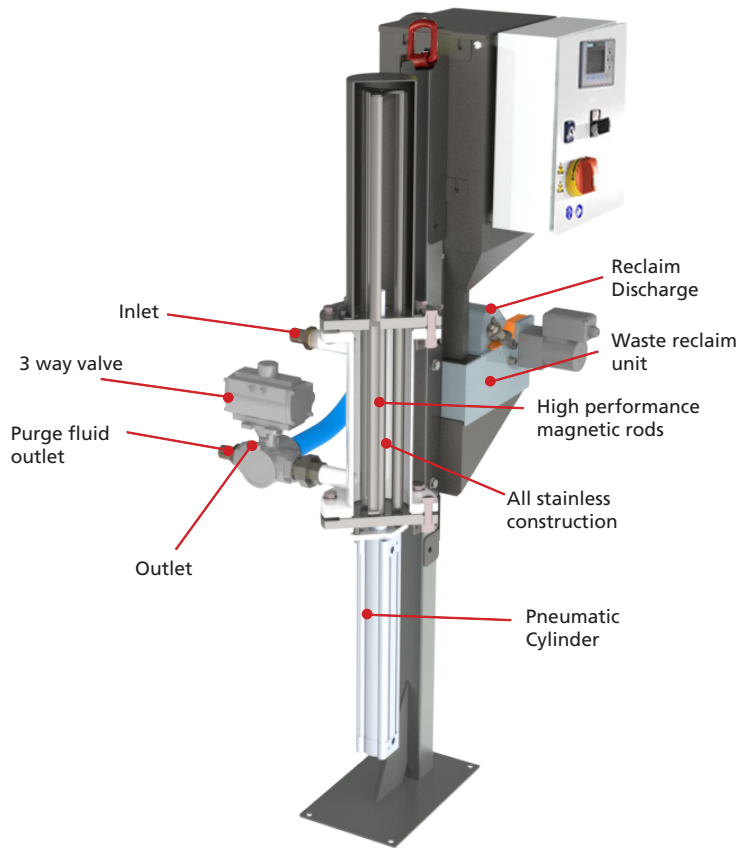
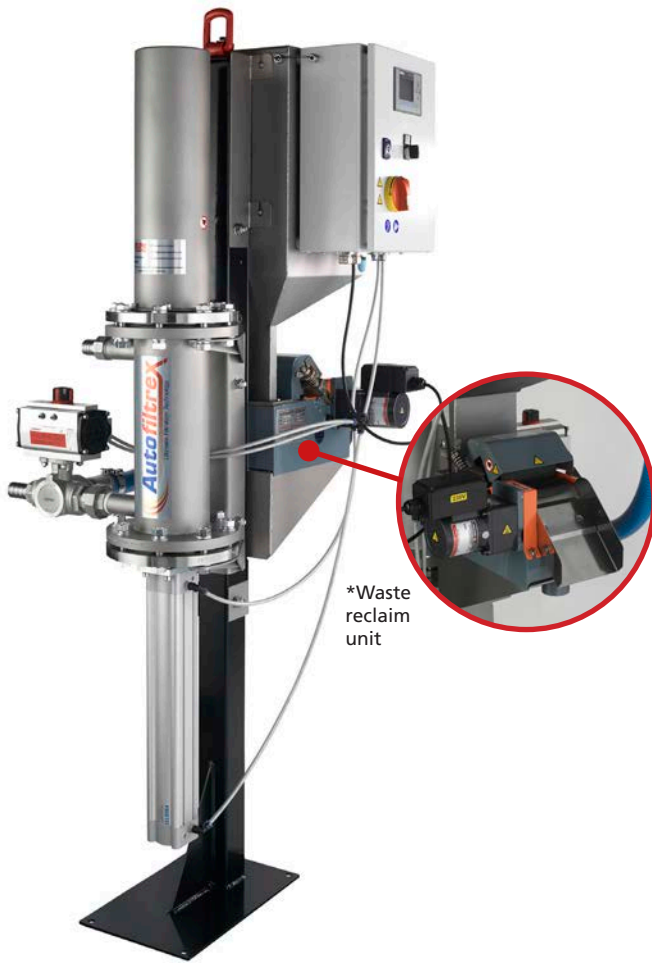
Construction

Magnet material: Rare Earth Neodymium Iron Boron (NdFeB)
Magnet grade: N35 (standard), N45 (optional)
Filter housing: 304 grade stainless steel (powder coated)
Unit body: Mild steel (painted)
Pump: Self priming AM 40-110B, single phase, 230V, 50HZ
Power: 13 amp, 3 pin socket (other options available)
Hoses: 3m long inlet and outlet hoses included, made from oil resistant PVC material, supplied with Cam lock connections.

Performance

Flow rate: 250 litres per minute | **Magnetic performance:** 4,000 Gauss (standard), 11,000 Gauss (optional)
Contamination collection capacity: 3kgs | **Operating temperature:** 5°C to 60°C | **Maximum suction height:** 12.9m

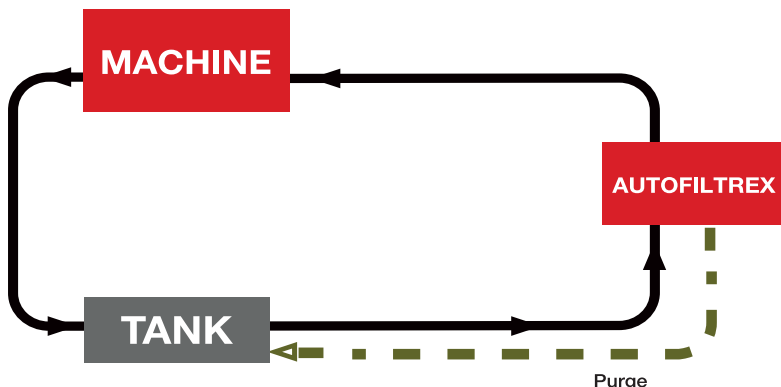
Autofiltrex



The latest generation in cost-effective fluid filtration.
Fully automated operating & cleaning. Provides huge cost savings in fluids & filter consumables.

Typical applications

Autofiltrex is ideal for most ferrous machining applications such as grinding, honing, lapping, forming and quenching processes. It can be also utilised in wash station applications.



Benefits

- Cleaner fluid delivery to the machine
- Reduced expenditure on filter media
- Fully automated cleaning
- Reduced waste disposal
- Increased fluid lifespan
- Improved surface finish and accuracy
- 24/7 uninterrupted filtration



How Autofiltrex works

Autofiltrex works in-line, taking dirty fluid from the holding tank and delivering clean polished fluid to the tool/workpiece contact point. As fluid flows through the Autofiltrex cylinder, high intensity magnetic circuits extract ferrous contamination particles.

When the magnets reach saturation point, a timed automated purging process lifts the magnetic cores from the housing thereby releasing contamination. This is simultaneously diverted via a 3-way valve to the reclaim unit (or when using AF1 to a purge or holding tank). The unit can be set to purge at timed intervals or be manually executed.

* AF1 unit is not supplied with a reclaim unit.

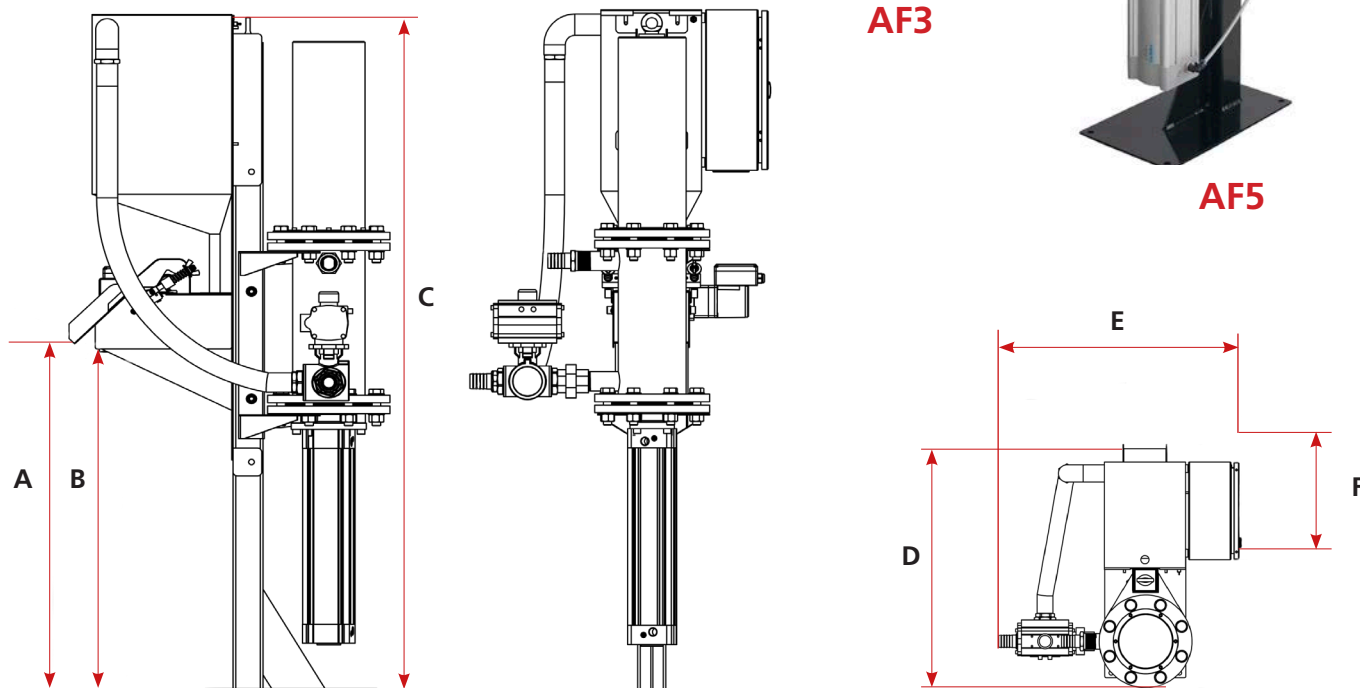


AF1

AF3

AF5

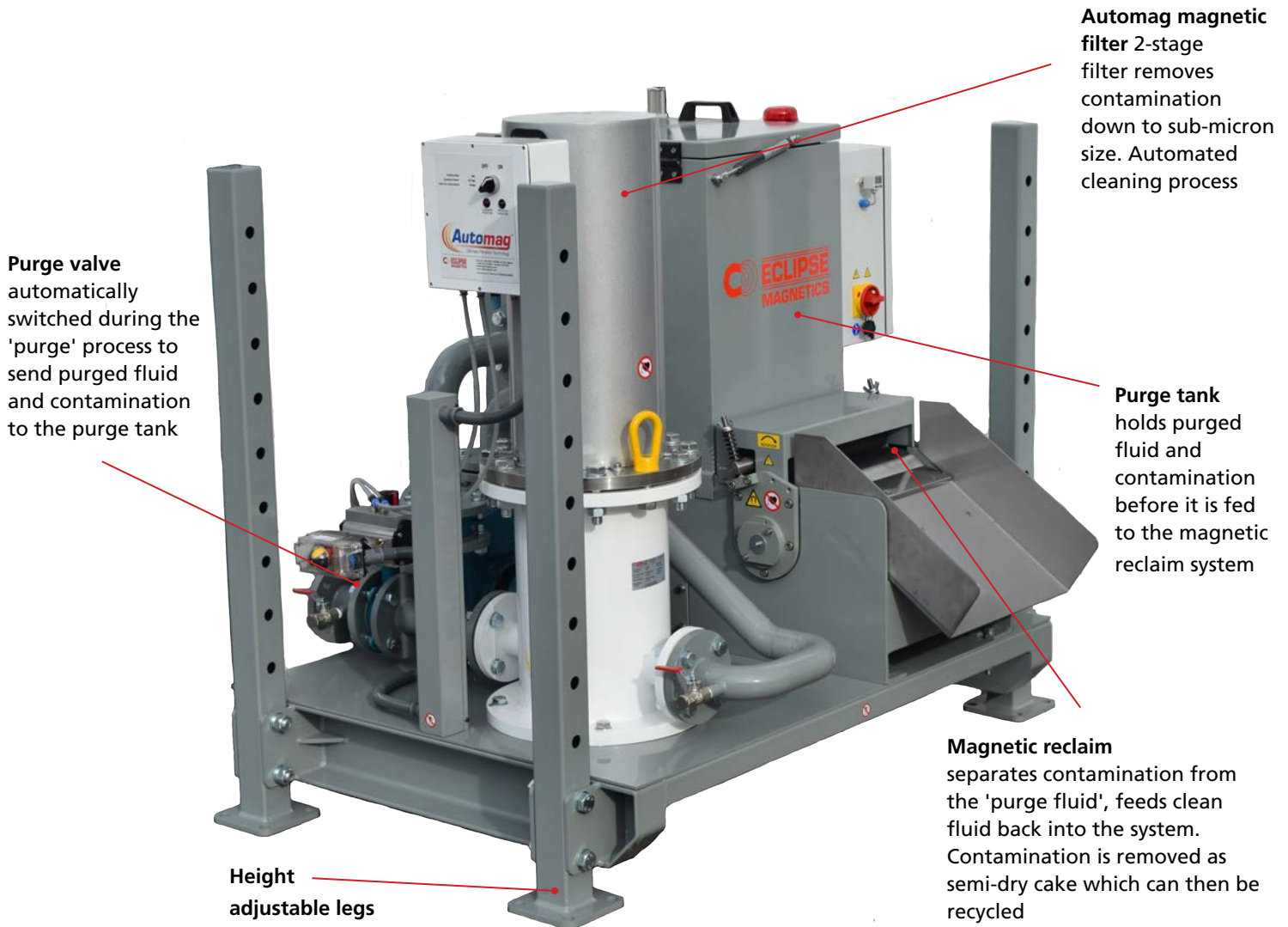
Technical Data



Product number	Flow rate ltrs/min.	Number of magnetic rods	Magnetic Strength gauss	Connections mm	Contamination Capacity kgs	Weight kg	Dimensions mm					
							A	B	C	D	E	F
AF1	60	1	9,000	19	1	30	N/A	N/A	1504	250	N/A	210
AF3-RC	150	3	9,000	31	3	122	872	852	1701	717	698	300
AF5-RC	200	5	9,000	38	5	145	872	852	1701	747	747	300

PATENTED DESIGN

Automag Skid



Self-contained, free standing magnetic filtration system. Providing uninterrupted 24/7 filtration. Can be used in-line or with optional integral pump, off-line.

How Automag works

An Automag magnetic filter removes magnetic and para-magnetic contamination and holds it until it is released during the automated 'purge' process. Then, the filter's output is briefly diverted so that fluid carries the contamination to the purge tank.

The purge tank then feeds the contaminated fluid to the magnetic reclaim which removes the contamination, putting clean fluid back into circulation. The contamination is extracted in a form ready for disposal or recycling.



Dual flow technology™ ensures that fluid is exposed to the high intensity magnets for the maximum time, thus ensuring almost 100% of ferrous contamination is removed on the first pass.



Contamination is attracted to the tube of the cores. Cleaned fluid is re-circulated.



Compressed air lifts the cores from the tubes and the purge valve is opened. Contamination is released and washed away for collection.



AM6 Skid



AM12 Skid

AM6 Skid	Model	Pump	PLC	Purge Valves	Reclaim Recovery
AM6S1	Single AM6 Skid		✓	✓	✓
AM6S1/P	Single AM6 Skid	✓	✓	✓	✓
AM6S2	Double AM6 Skid		✓	✓	✓
AM6S2/P	Double AM6 Skid	✓	✓	✓	✓

AM12 Skid	Model	Pump	PLC	Purge Valves	Reclaim Recovery
AM12S1	Single AM12 Skid		✓	✓	✓
AM12S1/P	Single AM12 Skid	✓	✓	✓	✓
AM12S2	Double AM12 Skid		✓	✓	✓
AM12S2/P	Double AM12 Skid	✓	✓	✓	✓

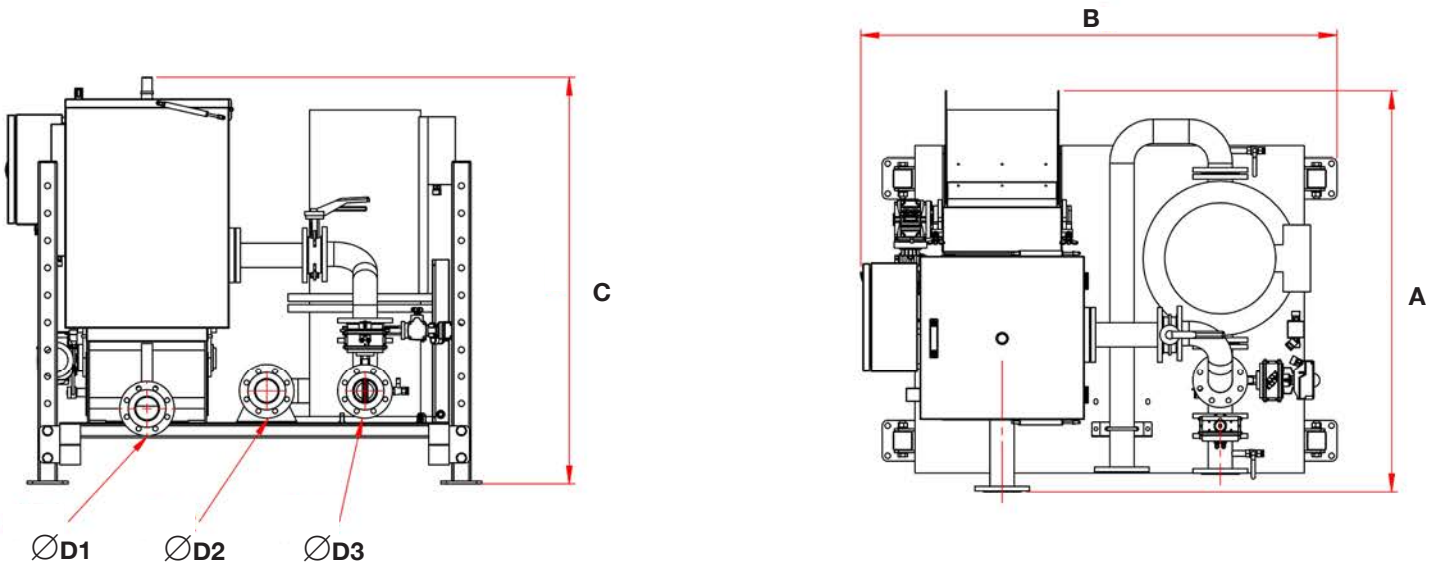


On board PLC

Double Automag Skid

Double Automag Skid units are available for large flow rate/heavy contamination applications.

Technical Data



Model	Number of cores	Maximum flow rate		Contamination capacity kgs	Max. operating pressure bar	Dimensions mm						
		Litres/min.	m ³ /hour			A	B	C	D1	D2	D3	Flanges
AM6 Skid Single	6	450	27	6	10	1300	1540	1290/2190	75 (3")	50 (2")	50 (2")	PN16/ ANSI
AM6 Skid Double	12	900	54	12	10	1300	2272	1290/2190	75 (3")	50 (2")	50 (2")	PN16/ ANSI
AM12 Skid Single	12	900	54	12	10	1469	1743	1490/2390	75 (3")	75 (3")	75 (3")	PN16/ ANSI
AM12 Skid Double	24	1800	108	24	10	1469	2475	1490/2390	75 (3")	75 (3")	75 (3")	PN16/ ANSI



Special Designs - AM32

AM32 is available for wash system applications up to 4,000 litres per minute flow rate (contact us for details).

Case Study

Industry: Tool Manufacturing
Process Type: Grinding hand hacksaw blades
Location: Jiangmen, South China
Eclipse Product Installed: AutoMag 6 Skid
Machined Material: M2 Steel

The Challenge

As a brand new machine, the creep feed grinder was fitted with a paper filter roll. In addition to being expensive when replaced regularly, the paper filters become contaminated by metal swarf quickly.

Staff at the manufacturing facility decided to add an extra level of filtration in the form of a magnetic filter to capture and remove ferrous particles from the coolant.

The Solution

Eclipse Magnetics provided an AutoMag Skid magnetic filtration system. The AM6 AutoMag filter unit boasts 6 magnetic cores, and a maximum flow rate of 450 litres per minute. With a contamination capacity of up to 7kg, the AM6 has a maximum operating pressure of up to 10 bar.

The magnetic filter, therefore, would remove the contamination before it reaches the paper filter, preventing it from clogging up and needing to be replaced frequently.

Results

The AutoMag Skid removes magnetic and para-magnetic contamination, down to sub-micron size, from the coolant used in the creep feed grinding machine. Therefore, the magnetic filter helps extending the life of the paper filter significantly, in turn saving money and reducing waste.



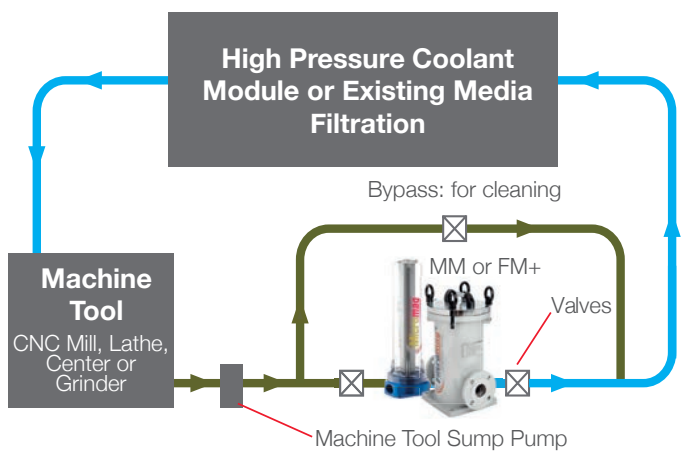
Photo: The contamination is dry when it is reclaimed.

Installation Options

Pre-Filtration Installation - With Bypass

Protect:

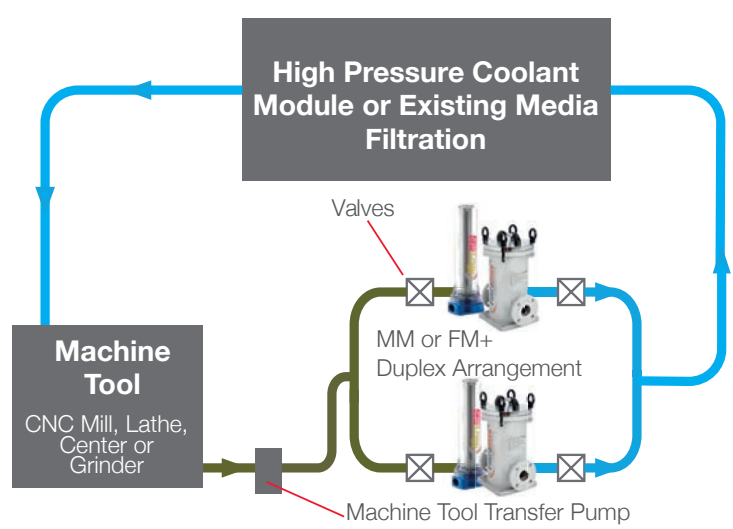
- High pressure pump
- Media filter (bags, cartridges, beds, etc)
- Machine tool: through spindle components, tooling, keep sump clean, reduce wearing of part (way covers), extend coolant/oil life with no loss of physical properties



Pre-Filtration Installation - Duplex

Advantages:

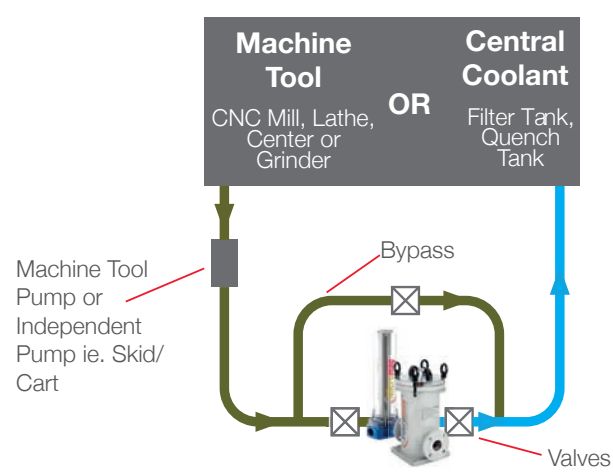
- Ease of cleaning
- Duplex magnetic filter
- Constant high efficiency filtration



Kidney Loop Filtration 24/7 Uninterrupted Cleaning

Protect:

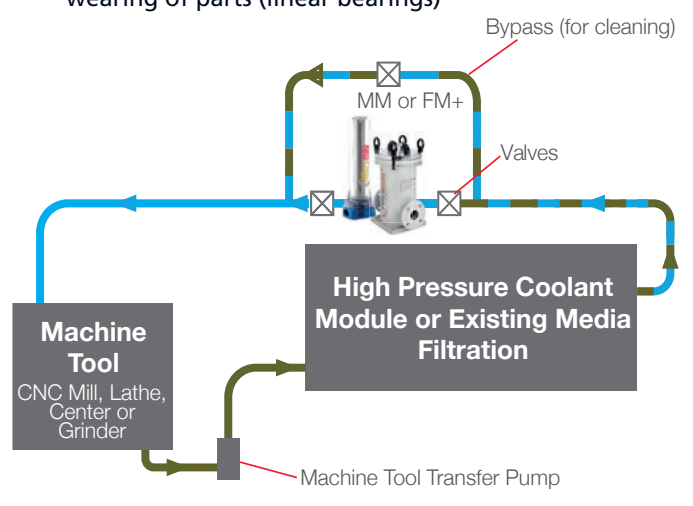
- Tooling
- Keep sump clean
- General system cleanliness
- Extend coolant life (with no loss of physical properties)



Post Filtration Installation - With Bypass Coolant Polishing

Protect:

- Machine tool: through spindle components, tooling, extend coolant/oil life with no loss of physical properties, keep sump clean, and reduce wearing of parts (linear bearings)



Application Data Selector

Percentage reduction required from stated maximum flow rate to obtain good filtration results

Part No	Flow rates (ltrs/min.)	Fluid Type				Material Type						Material Loading				
		Coolant/Wash solution	Thin oil	Medium oil	Thick oil	Mild steel	Hard steel	Cast iron	Stainless steel	High speed steel	Tungsten carbide	Heavy	Medium	Light	Wear	
Manual																
Micromag																
MM5	70	0	20	n/a	n/a	0	n/a	20	n/a	n/a	n/a	n/a	n/a	n/a	n/a	✓
MM10	100	0	20	n/a	n/a	0	30	20	n/a	n/a	n/a	n/a	n/a	n/a	✓	✓
MM20	150	0	20	30	60	0	30	20	70	n/a	n/a	n/a	✓	✓	✓	
Filtramag⁺																
FM1.5 ⁺	250	0	10	20	40	0	20	20	50	60	70	n/a	✓	✓	✓	
FM2.0 ⁺	500	0	10	20	40	0	20	20	50	60	70	✓	✓	✓	✓	
Automated																
Autofiltrex																
AF1	60	0	10	20	40	0	20	20	50	60	70	n/a	✓	✓	✓	
AF3-RC	150	0	10	20	40	0	20	20	50	60	70	✓	✓	✓	✓	
AF5-RC	200	0	10	20	40	0	20	20	50	60	70	✓	✓	✓	✓	
Automag Skid																
AM6S1	450	0	10	20	30	0	20	20	40	50	60	✓	✓	✓	n/a	
AM12S1	900	0	10	20	30	0	20	20	40	50	60	✓	✓	✓	n/a	
AM6S2	900	0	10	20	30	0	20	20	40	50	60	✓	✓	✓	n/a	
AM12S2	1800	0	10	20	30	0	20	20	40	50	60	✓	✓	✓	n/a	
AM32S1	2000	0	n/a	n/a	n/a	0	n/a	n/a	n/a	n/a	n/a	n/a	n/a	✓	n/a	

Example:

Filter **FM2.0⁺**
 Flow **500 ltrs/min.**
 Material **Cast iron**
 Fluid **Medium oil**

500 ltrs/min × Medium oil (20%) = 400 ltrs/min.
 400 ltrs/min × Cast iron (20%) = 320 ltrs/min.
Suggested flow rate = 320 ltrs/min.

Centipoise

Thin oil 20–300
 Medium oil 300–700
 Thick oil 700+

Other filtration products



Ultrafiltrex - Protecting Oil & Gas Pipelines

Ultrafiltrex combines high performance magnetics with optimum flow to capture virtually 100% of black powder contamination in pipelines. It offers time, money and environmental savings in comparison to traditional membrane or barrier filters such as cyclones, cones, baskets and cartridges, which are limited by collection capability and prone to blockage.

Benefits of Ultrafiltrex

- Sub-micron particle size filtration capability
- No consumables required or on-going costs
- Reduces waste disposal costs and environmental impact
- Protects pipelines and components from abrasive wear
- Ensures a cleaner, higher performance end product
- Minimises downtime and maintenance costs
- Provides protection in upstream, downstream and midstream sectors

BoilerMag - Heating System Protection

The BoilerMag range of filters removes black iron oxide from heating and cooling systems, improving efficiency, reducing CO2 emission and protecting boilers from the damage that black iron oxide can cause.

Benefits of BoilerMag

- Guaranteed protection from black iron oxide
- Easy installation and maintenance
- Maintains peak performance of systems
- Improves energy efficiency
- Extends system life
- No running costs, minimal maintenance costs
- 10 year warranty




Liquid Filter - Protecting Food Processing Lines

The Liquid Filter magnetic separator has been designed to operate in pressurised transfer lines to provide protection against ferrous and para-magnetic contamination.

Benefits of Liquid Filter

- Can be used in any line that processes liquids at all viscosity levels
- Can be supplied to suit various processing volumes, pressures, temperatures and specifications
- Suitable for chocolate, jam, syrup, sauce, paste and beverage processing lines





“I don’t know why we waited so long to have the Automag Skid unit installed in our plant. With the dollar savings we have seen thus far, I would have to say it was definitely a home run!”

Rick Daubert

Tooling Engineer & Tool Room Supervisor at Ridg-U-Rack

Other Products

In addition to our filtration range, Eclipse Magnetics manufacture a wide range of high performance magnetic products for diverse applications.



Workholding systems



Lifting and handling systems



Magnetic aids for workshop & general engineering applications



Magnetic materials & assemblies



Foreign body removal - Separation & detection systems



Heating system filters

Eclipse Magnetics Worldwide

Europe

Atlas Way
Sheffield
S4 7QQ
England

T 0044 (0)114 225 0600
F 0044 (0)114 225 0610
info@eclipsemagnetics.com

Americas

442 Millen Road, Unit 9,
Stoney Creek
Ontario, L8E 6H2,
Canada

T 001 905-664-5585
F 001 905-664-7090
sales@eclipsetoolsinc.com

China

No. 168 Chengjian Road
Minhang District
Shanghai
PR China

T (0086) 21 6434 8600 *150
F (0086) 21 6434 6488
szhou@eclipsemagnetics.com

Representative:

www.eclipsemagnetics.com

Eclipse Magnetics Ltd

Atlas Way, Sheffield, S4 7QQ, England
T +44 (0)114 225 0600 F +44 (0)114 225 0610
info@eclipsemagnetics.com | www.eclipsemagnetics.com



While every effort has been made to ensure the accuracy of the information in this publication, please note that specifications may change without notice.

