

At A Glance



Protection: Primary



**Feed Type:
Gravity / Lean / Dilute Phase**



Material Type: NdFeb

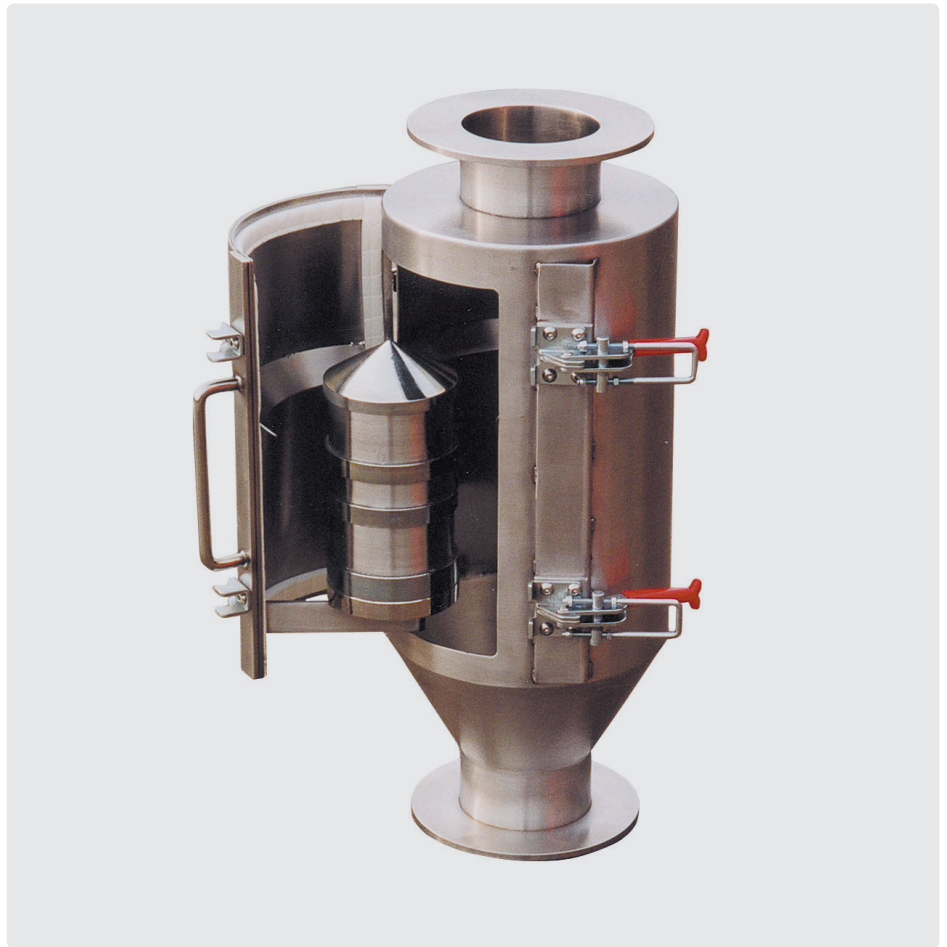


Cleaning Type: Manual

Housed bullet magnets are ideal for the removal of tramp type contamination, for example nuts, bolts, staples etc., from gravity and pneumatically conveyed pipelines.

The unit is designed to prevent tramp iron from damaging expensive process machinery such as blenders, granulators, mixers and screw feed conveyors. A high intensity magnetic bullet element is centrally mounted within a stainless steel housing. The design ensures that product flow is unaffected by the magnetic element.

The bullet element incorporates high intensity Rare Earth magnetic material which generates deep penetrating magnetic flux fields ensuring contamination is captured.



Benefits

- Easy to inspect
- High collection capacity
- Rare Earth deep magnetic field
- Maintains full flow
- Reduces 'spark' risk
- Removes 'tramp' sized contaminants

Performance

Magnetic Performance	9000 Gauss
Performance Reading	On magnetic pole face
Magnet Grade	N45 – Inspected and confirmed via hystero-graph prior to use
Temperature	-20°C / +90°C
Pressure	+ / - 0.8 Bar

Suitability

Suitable Products	Dry and semi dry powders, granulates and lumps etc
Suitable Location	Inlet / outlet points

Materials

Magnetic Material	Rare Earth Neodymium Iron Boron - (NdFeb)
Housing	304 grade stainless steel
Other Parts	304 grade stainless steel
Toggle Clamps	Zinc plated mild steel
Sealing	Self adhered white foam (FDA)
Surface Finish	Bead blast

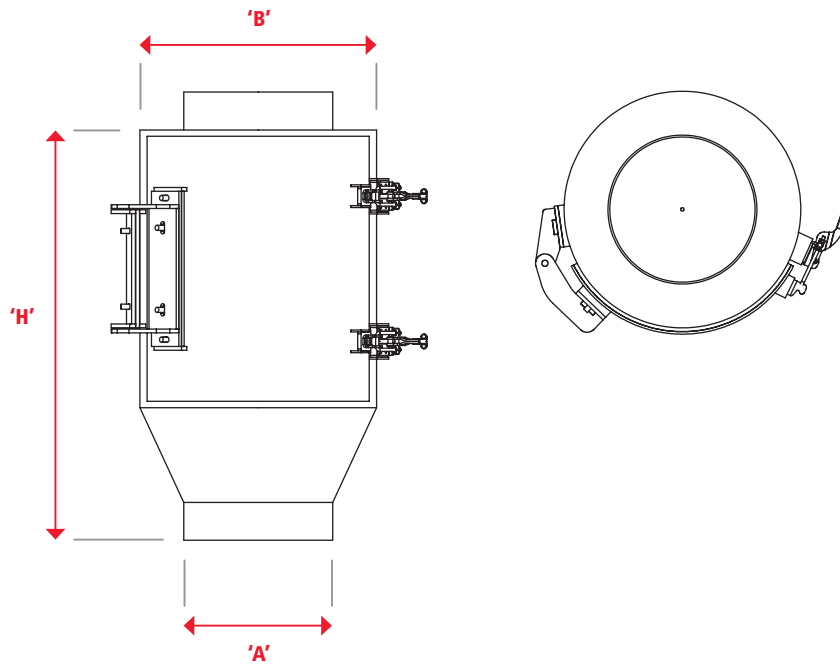
Cleaning

The bullet magnet is cleaned by hand. Simply release the door securing toggle clamps and open the door to gain access to the bullet element. All attracted contamination can now be removed. It is advisable to wear protective gloves to avoid any injuries from sharp attracted items.

Options

- Sizes up to 500mm Ø
- 316 grade stainless steel
- Metal detectable silicon rubber seal – dark blue, FDA approved
- Stainless steel toggle clamps

Bullet Magnet



Part Number (Single)	Inlet / Outlet A (mm)	Dia. B (mm)	Height H (mm)	Weight (kg)
HBM075	75	200	490	16
HBM100	100	225	490	22
HBM125	125	250	550	33
HBM150	150	275	550	46
HBM175	175	300	640	60
HBM200	200	325	640	105
HBM250	250	375	710	160
HBM300	300	425	710	210

For non-standard sizes, please contact sales@eclipsemagnetics.com