


At A Glance

-  **Protection: Secondary**
-  **Feed Type: Gravity**
-  **Material Type: NdFeb**
-  **Cleaning Type: Manual**

Our high intensity magnetic Rota-Grid separator has been designed specifically to process difficult products that are prone to bridging and/or caking.

The unit contains a centrally mounted magnetic 'rota' assembly; numerous 'easy clean' magnetic rods are arranged in a 'wheel' around and parallel to the axis of rotation. The number of rods used depends on the inlet and outlet size.

The assembly rotates, gently agitating the product being processed. It is this agitation that prevents blockages occurring. All dry and semi-dry powders and granular type materials, such as starch etc., can be processed through the unit. The Rota-Grid can be supplied to the most stringent of standards, such as those required in the pharmaceutical industry.



Benefits

- Easy to clean
- Allows difficult products to be screened
- Reduces 'spark' risk
- Removes sub-micron sized contaminants

Performance

Magnetic Performance	7000, 9000, 10000 (Easy clean), 11000 (Fixed) & 12000 (Fixed) Gauss
Performance Reading	On product contact surface
Magnet Grade	N35 – Inspected and confirmed via hysteresis prior to use
Temperature	-20°C / +60°C
Pressure	+ / - 0.2 Bar
Electrical Specification	400v industrial three phase IP65 rated motor gearbox

Suitability

Suitable Products	Dry and semi-dry powders and granulates
Suitable Location	Any vertical process line

Materials

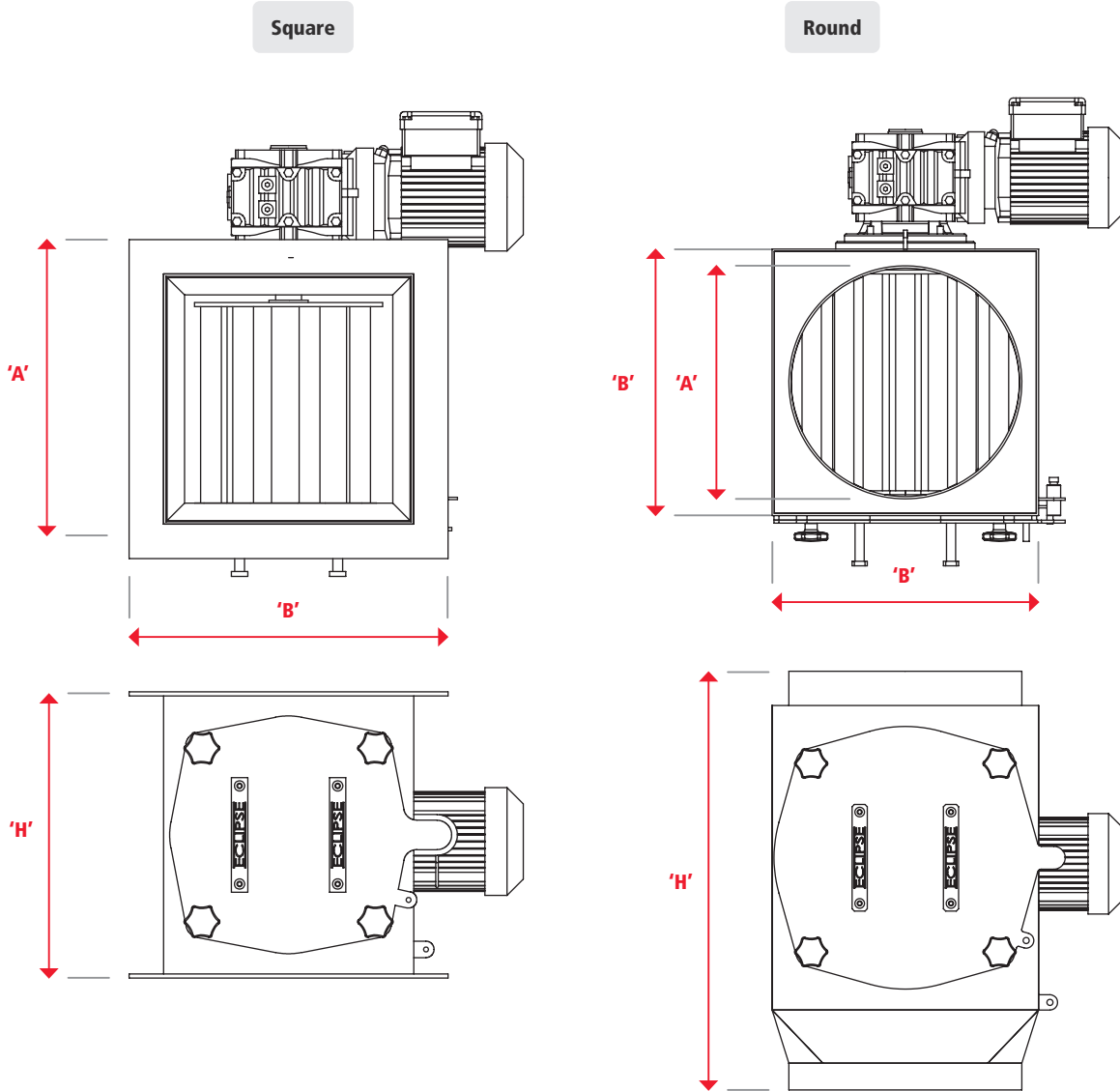
Magnetic Material	Rare Earth Neodymium Iron Boron - (NdFeb)
Housing	316 grade stainless steel
Tubing	316 grade stainless steel
Other Parts	316 grade stainless steel
Sealing	Self adhered white foam
Surface Finish	Brushed internally / Polished externally to 1.2µm

Cleaning

To clean, simply remove the door and remove the assembly from the housing. Remove the magnetic cores from the assembly. All attracted contamination will then be released allowing for inspection or further analysis.

Options

- Metal Detachable seal
- Larger sizes available
- Rota support track system
- Pharmaceutical specification



Part Number (Round)	Spout Dia. A(mm)	Width x Depth B (mm)	H (mm)	kW Rating	Number Of Rods	Weight (kg)
RG200	200	250 x 250	450	0.18	6	35
RG250	250	300 x 300	500	0.18	7	44
RG300	300	350 x 350	550	0.18	9	55
RG350	350	400 x 400	600	0.18	10	68
RG400	400	450 x 450	650	0.18	13	82

Part Number (Square)	Spout Size A (mm)	Width x Depth B (mm)	H (mm)	kW Rating	Number Of Rods	Weight (kg)
RG2020	200 x 200	200 x 200	250	0.18	5	26
RG2525	250 x 250	250 x 250	300	0.18	6	33
RG3030	300 x 300	300 x 300	350	0.18	7	43
RG3535	350 x 350	350 x 350	400	0.18	9	54
RG4040	400 x 400	400 x 400	450	0.18	10	67

For non-standard sizes, please contact sales@eclipsemagnetics.com